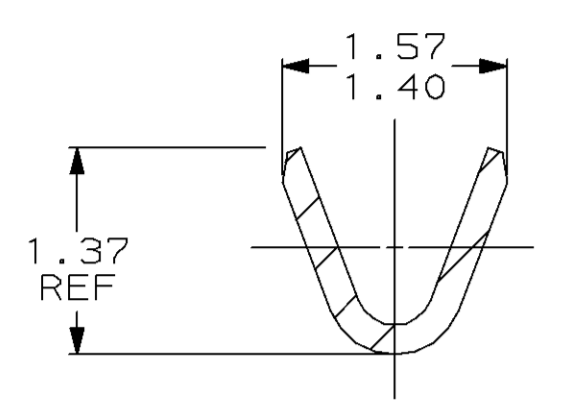
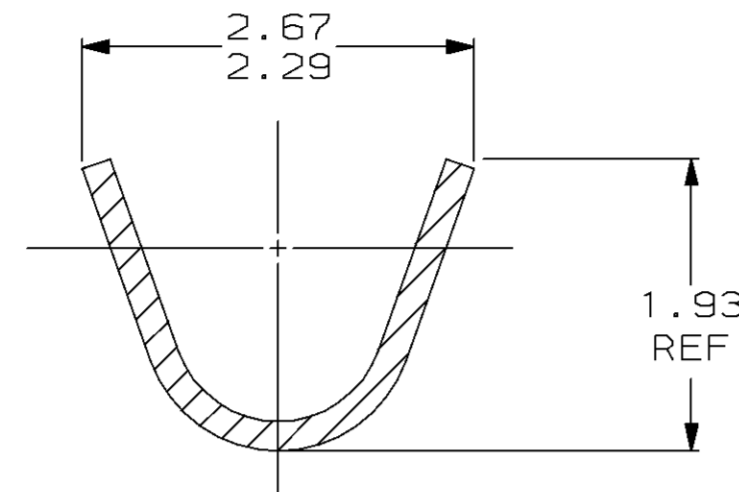


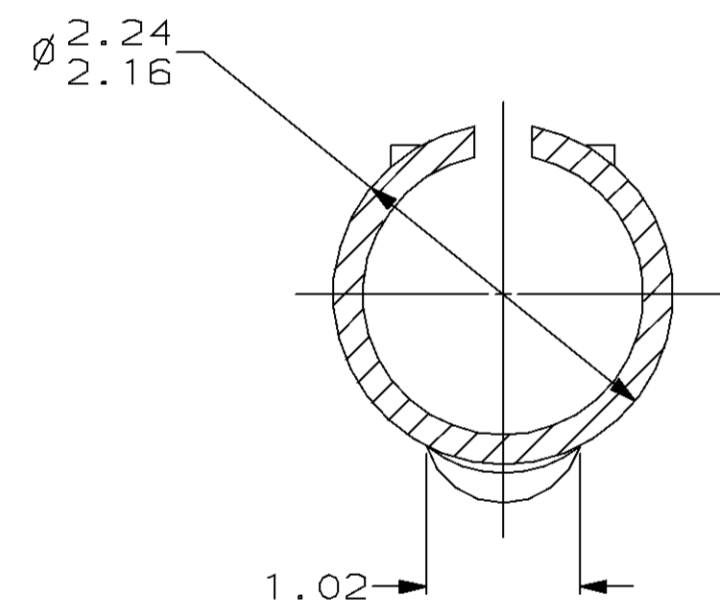
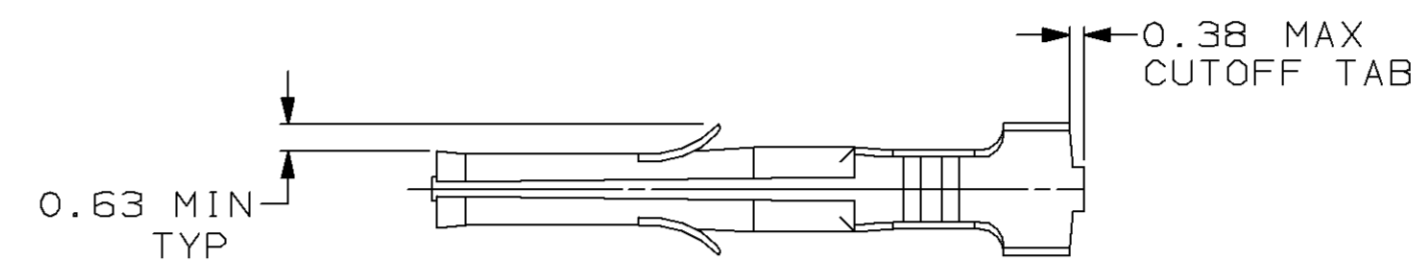
LOC		DIST		ZONE		LTR		REVISIONS		DATE	APPD
CM	53	P	F					0	RELEASED PER PR CM 93-69	7-14-93	LS RS



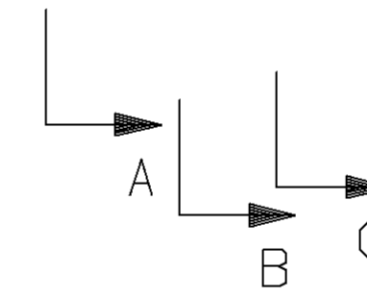
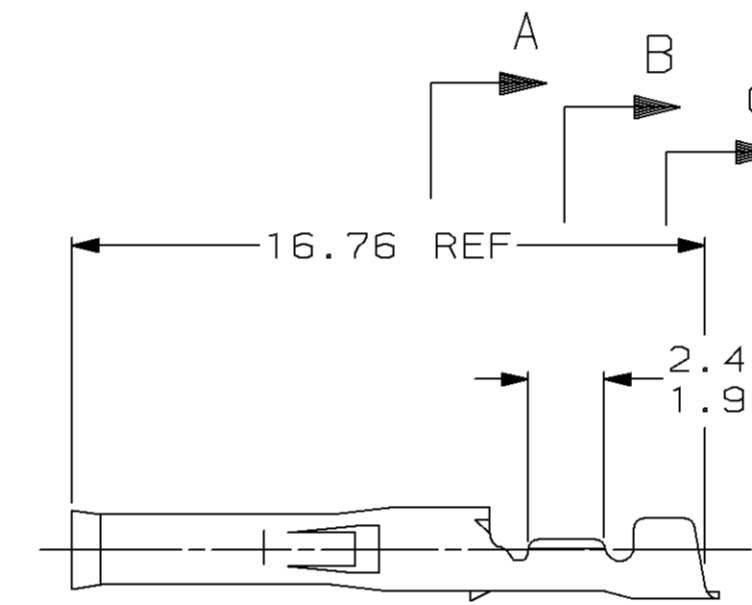
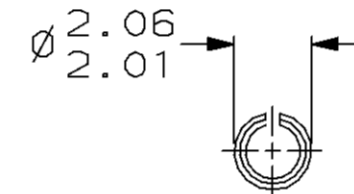
SECTION B-B
SCALE 20:1



SECTION C-C
SCALE 20:1



SECTION A-A
SCALE 10:1



16.76	.660
2.79	.110
2.67	.105
2.41	.095
2.29	.090
2.24	.088
2.16	.085
2.06	.081
2.01	.079
1.93	.076
1.91	.075
1.57	.062
1.52	.060
1.40	.055
1.37	.054
1.02	.040
0.63	.025
0.38	.015
0.20	.008
0.13	.005
MM	IN

CONVERSION TABLE

METRIC

FINISH	MATERIAL	INSULATION DIAMETER	WIRE RANGE	PART NO
PRE-TIN	0.20 BRASS	1.52 MAX	0.2 - 0.5 mm ² (30-24 AWG)	794019-1
DO NOT SCALE PRINT. UNLESS SPECIFIED DIMENSIONS IN mm [INCHES] TOLERANCES ON: 2 PLC DEC ± 0.13 3 PLC DEC ± - ANGLES ± 0°30'		DR 7-14-93 L. SMITH CHK 7-14-93 R. SWING APPD 7-15-93 C. CASH	AMP INCORPORATED Harrisburg, Pa. 17105	
SEE TABLE	PRODUCT SPEC	NAME .062 SOCKET, LOOSE PIECE, COMMERCIAL PIN & SOCKET		
FINISH	APPLICATION SPEC	SIZE D	CAGE CODE 00779	DRAWING NO 794019
SEE TABLE	WEIGHT	SCALE 5:1	SHEET 1 OF 1	